

VALVES

SPRING CHECK - BRASS
200 WOG/CWP

FEATURES & APPLICATIONS:

- 200 WOG/CWP
- Cracking Pressure: 0.50 PSI
- Female NPT Threads

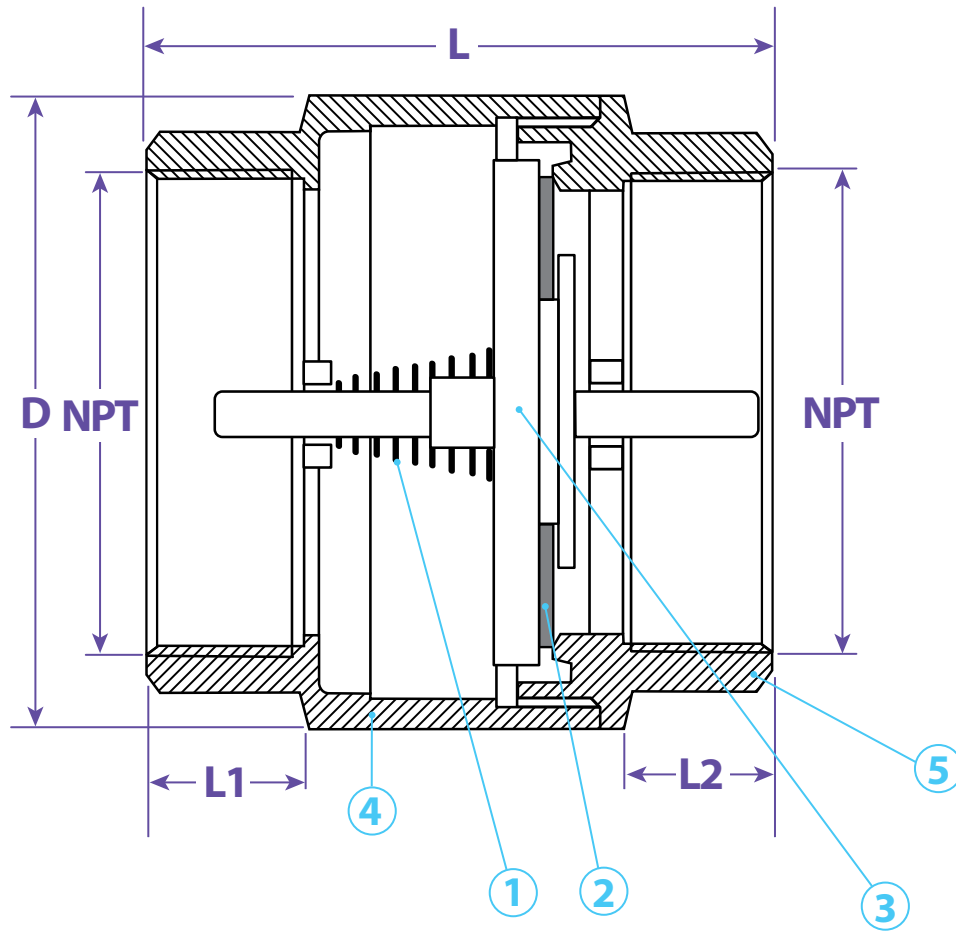
TECHNICAL DATA:

- **WOG** = Rating indicates the maximum non-shock pressure at ambient temperatures at which the valve may be used.
- **CWP** = Cold working pressure

WOG: Water, Oil & Gas: This was an older, generic pressure rating call-out which has been largely replaced by CWP. In this designation, "GAS" refers to any non-flammable, compressible fluid in a gaseous state. It does not imply a product's suitability or third-party approval for use with flammable gases. Similarly, in this designation, "Oil" does not imply a product's third-party approval for use with any petroleum products.

BRASS

Size	Part #
1/2"	SLCV 050
3/4"	SLCV 075
1"	SLCV 100
1-1/4"	SLCV 125
1-1/2"	SLCV 150
2"	SLCV 200
2-1/2"	SLCV 250
3"	SLCV 300
4"	SLCV 400



Dimensions					
Size	L	L1	L2	D	Part #
1/2"	1.84	.47	.41	1.32	SLCV 050
3/4"	2.05	.59	.45	1.61	SLCV 075
1"	2.22	.52	.59	1.80	SLCV 100
1-1/4"	2.38	.61	.57	2.09	SLCV 125
1-1/2"	2.50	.65	.59	2.52	SLCV 150
2"	2.72	.63	.63	2.94	SLCV 200
2-1/2"	3.84	.96	.91	3.86	SLCV 250
3"	4.11	.98	.98	4.37	SLCV 300
4"	4.45	1.00	1.00	5.75	SLCV 400

Nomenclature & Material		
No.	Description	Material
1	Spring	Stainless Steel
2	Seal Washer	NBR
3	Spool	Plastic
4	Bonnet	Brass
5	Body	Brass

TITLE **SPRING LOADED CHECK VALVE**

DISCLAIMER

All drawings and specifications are subject to change without notice. Drawings represent general dimensions of our products. Seal Fast Inc. cannot guarantee the dimensions will exactly match those in the drawing. The drawing is the property of Seal Fast Inc. Copying or reproduction of this drawing is expressly prohibited.

MATERIAL

BRASS

DRAWING NOT TO SCALE

PART #

SLCV...